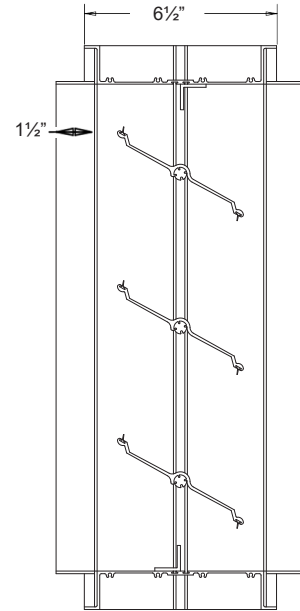


Transition Damper • 6½" Deep • Pin-Lock Blades • Parallel or Opposed • Round and Oval Transition • Extruded Aluminum

For use to 4 in. w.g. of static pressure

Standard Construction and Materials

- FRAME:** 1½" x 6½" x 1½" extruded aluminum channel frame with a .080" thick aluminum transition piece.
- BLADE:** Extruded aluminum, pin-lock design.
- SHAFT:** ½" dia. aluminum shaft, extends 7" beyond frame.
- BEARINGS:** Double-sealed.
- LINKAGE:** In jamb, out of air stream.
- FINISH:** Mill.



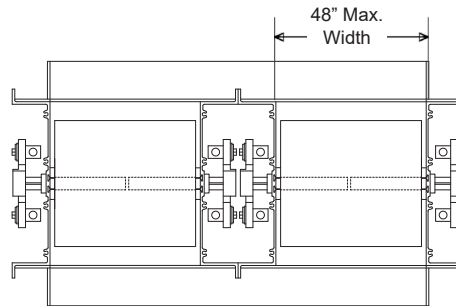
Parallel Blade Position
Not to scale.

Notes

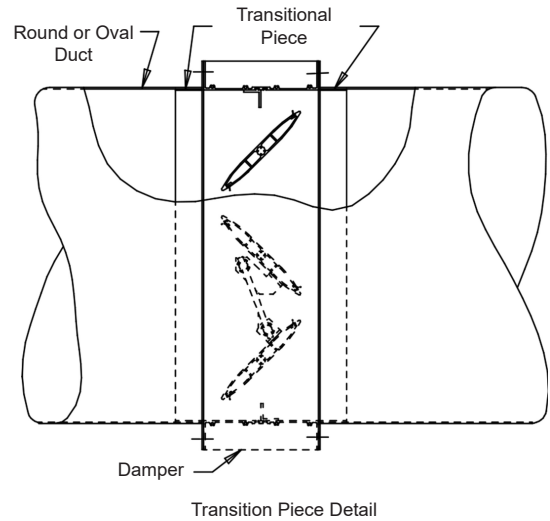
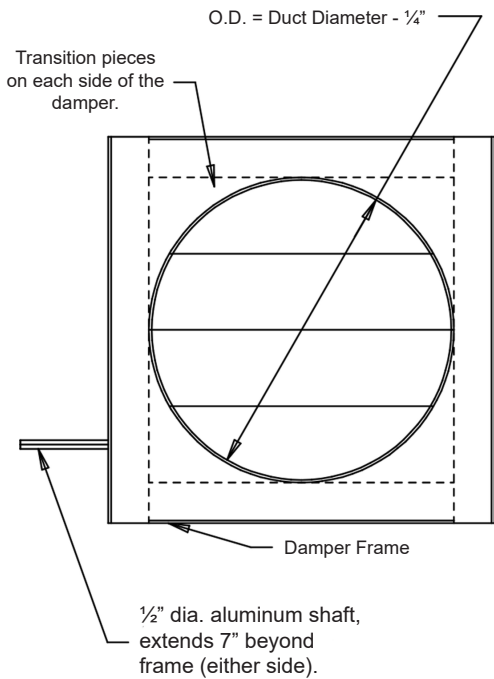
1. Nominal deductions will be made to the opening size given.
2. Please specify blade position: Parallel or Opposed.
3. Approximate shipping weight is 7 lbs./sq.ft.

Damper Sizes

Min Size	Max Size
10"W x 10"H	48"W x 48"H



Opposed Blade Position



Item #	Qty	Width	Height	Parallel	Opposed	Round	Oval	Union Made
		Damper Size (in.)		Blade Position		Transition Type		
Arch. / Eng.:		EDR:		ECN:		Job:		
Contractor:								
Project:		Date:		DWN:		DWG:		

In the interest of product development, CESCO Products reserves the right to make changes without notice.



450 Riverside Dr • Wyalusing PA, 18853
 Phone: 570-746-1888 • Fax: 570-746-9286
 www.cescoproducts.com